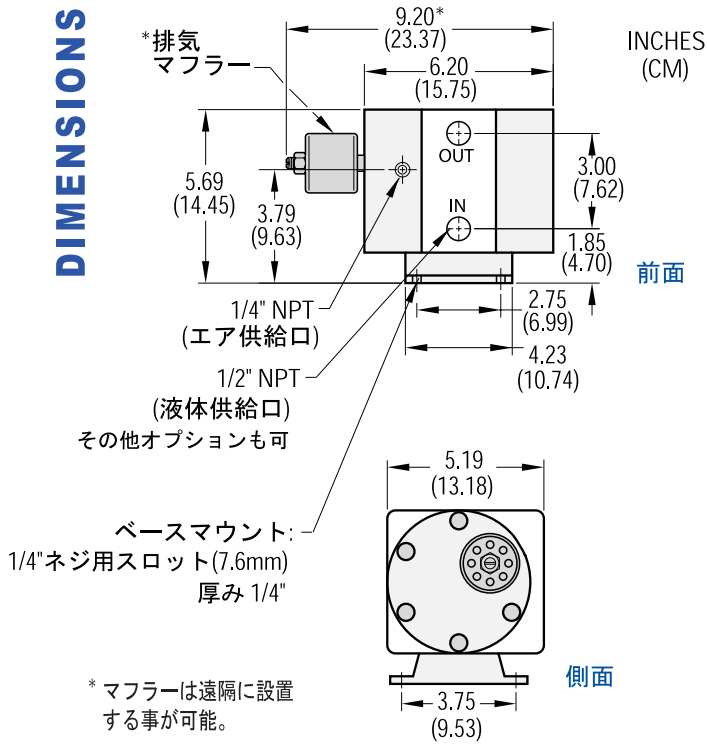


MODEL 110

DIMENSIONS



FLOW CAPACITY

