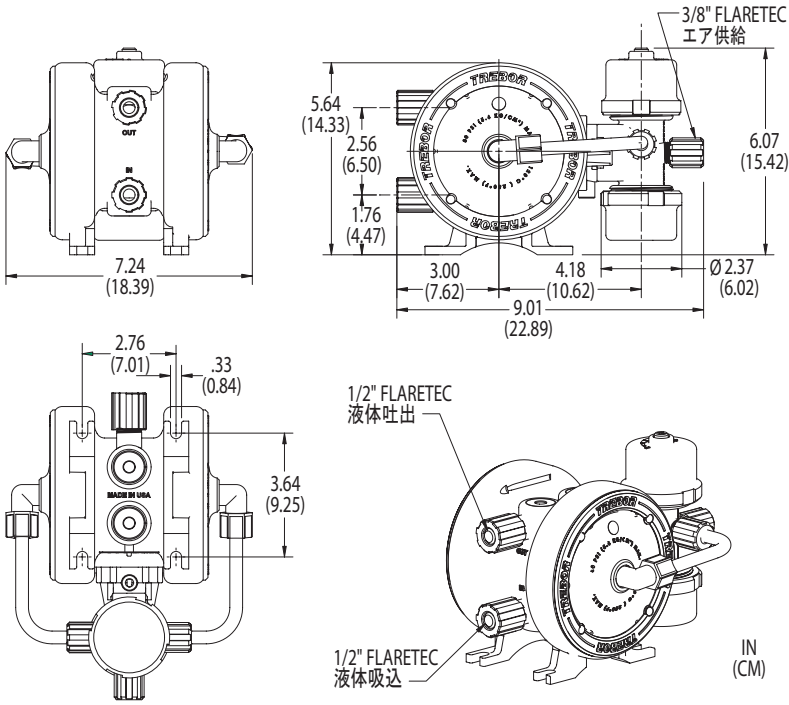


Purus 20

DIMENSIONS



FLOW CAPACITY

